

The Strong, Forged Valve!

valtaco

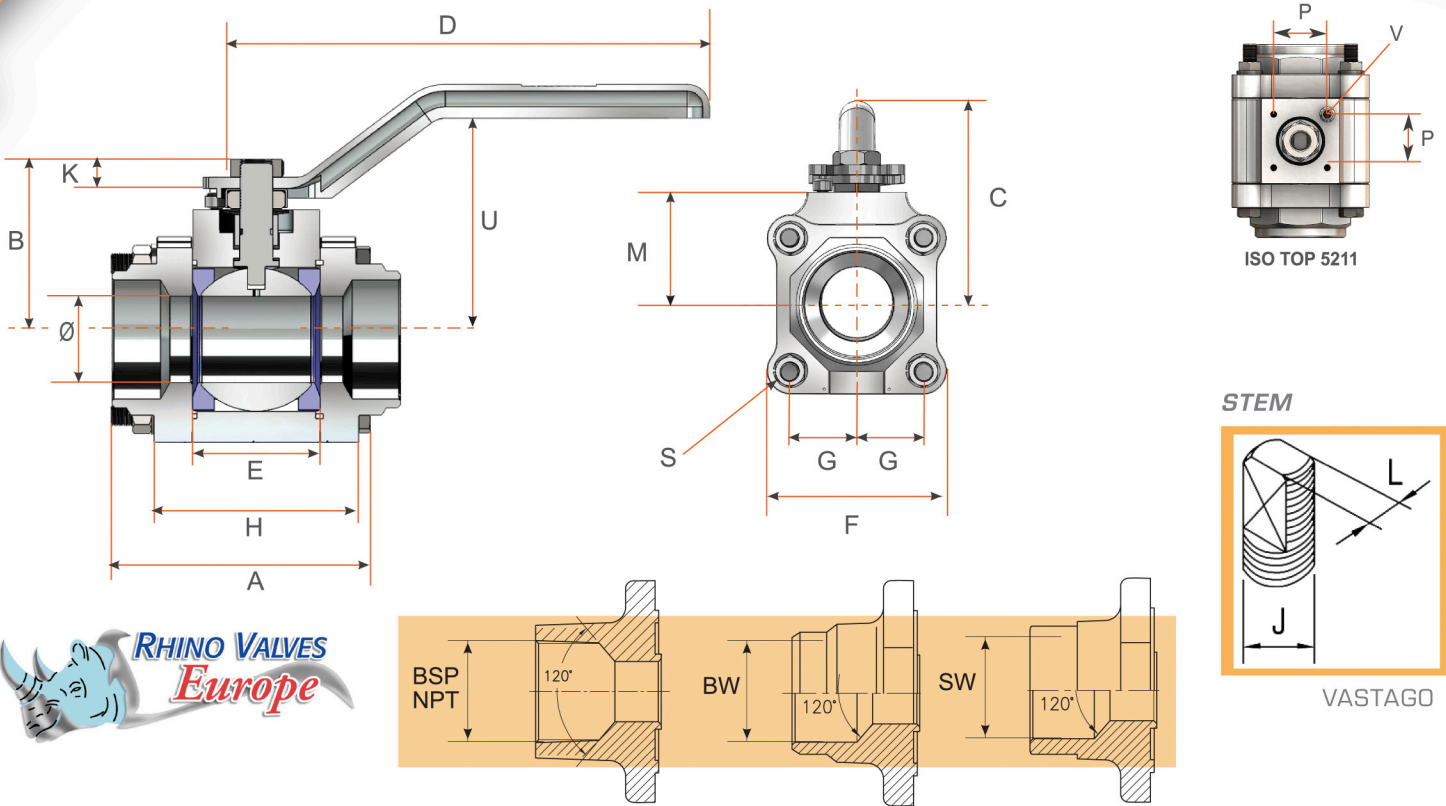


VÁLVULA DE BOLA

16 PN 64

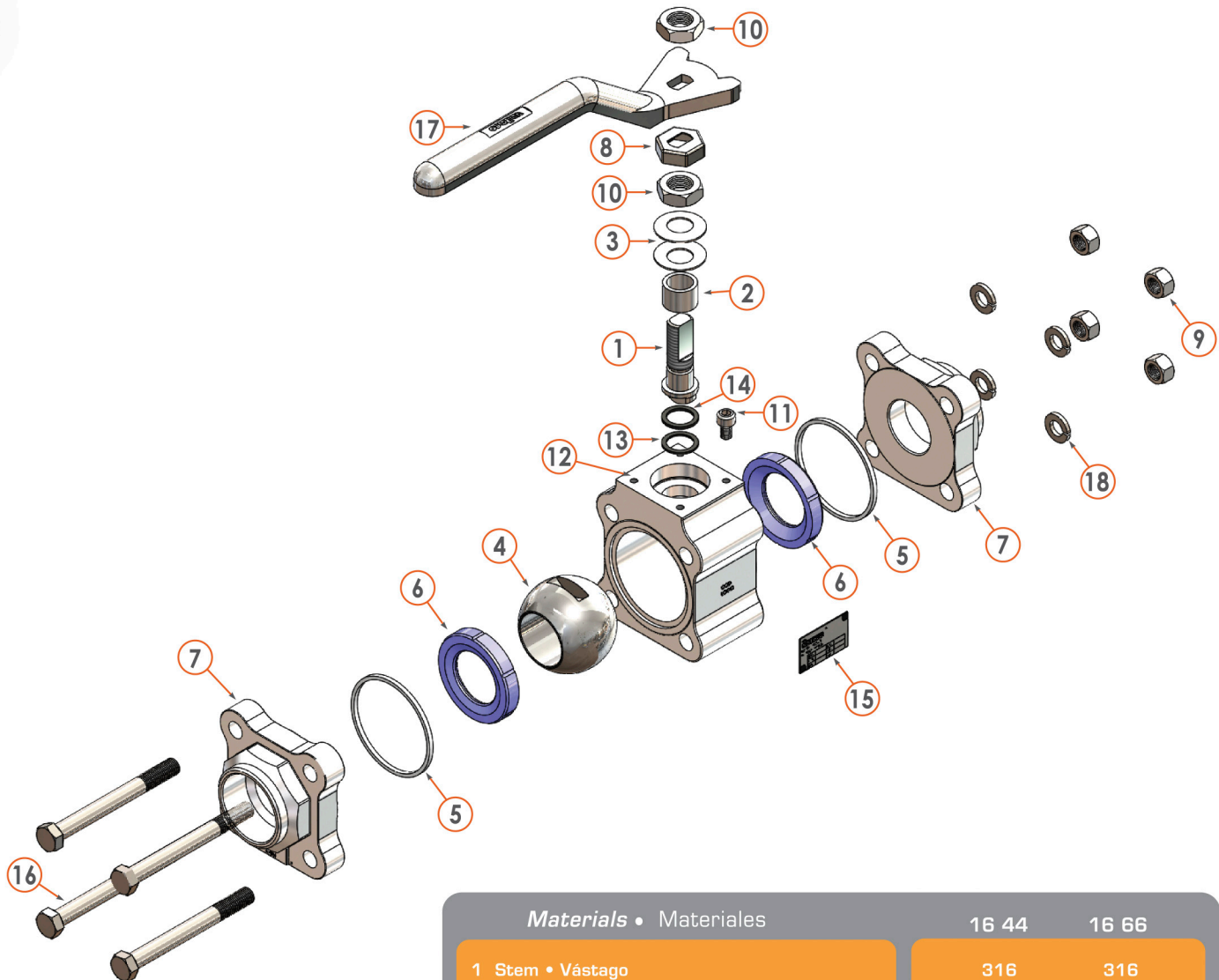


VÁLVULA DE BOLA 16 PN 64



Full bore / Paso Completo DN 16-50 (1/4"-1/2")

	mm	Inch	mm	inch	mm	Inch	mm	inch	mm	Inch	mm	inch	mm	Inch
DN	8		10		15		20		25		32		40	
SIZE	1/4"		3/8"		1/2"		3/4"		1		1 1/4"		1 1/2"	
BW Sch05	---	---	---	---	18	0.710	23.4	0.920	30.1	1.185	38.9	1.530	45	1.770
BW Sch10	17.1	.674	17.1	.674	17.1	0.674	22.5	0.884	27.9	1.097	36.6	1.442	42.7	1.682
BW Sch40	15.8	.622	15.8	.622	15.8	0.622	20.9	0.824	26.6	1.049	35.1	1.380	40.9	1.610
BW Sch80	13.9	.546	13.9	.546	18.8	.742	24.3	.957	32.5	1.278	38.1	1.500	49.3	1.939
SW	17.5	.690	21.7	.855	21.72	0.855	27.06	1.065	33.78	1.330	42.54	1.675	48.64	1.915
ø	11.2	0.438	11.2	0.438	14.3	.563	20.57	.810	25.4	1.000	36.75	1.250	38.1	1.500
A	63.3	2.61	63.3	2.61	71.8	2.83	94.5	3.72	107.18	4.22	115.8	4.56	127.3	5.01
B	42.0	1.67	42.0	1.67	44.9	1.77	54.6	2.15	59.2	2.33	72.8	2.87	77.7	3.06
C	72.0	2.83	72.0	2.83	75.2	2.96	98.8	3.89	123.9	4.88	108.9	4.29	138.9	5.46
D	150	5.91	150	5.91	150	5.91	175	6.89	175	6.89	200	7.87	200	7.87
E	20.6	.813	20.6	.813	24.6	.969	31.7	1.25	41.3	1.625	48.5	1.910	56.3	2.218
F	44.5	1.75	44.5	1.75	50.8	2.00	60.2	2.37	66.8	2.62	81	3.19	91	3.58
G	15.9	1.75	15.9	0.625	19.1	0.750	22.2	0.875	25.4	1.000	28.6	1.125	33.3	1.313
H	40.1	1.58	40.1	1.58	47	1.85	56	2.20	62.6	2.65	78.2	3.08	88	3.46
J	3/8		3/8		3/8		7/16		7/16		9/16		9/16	
K	10.6	.420	10.6	.420	12.4	.490	9.1	.36	10.9	.431	11.9	.47	11.9	0.47
L	5.5	0.22	5.5	0.22	5.5	0.22	7.5	0.30	7.5	0.30	8.7	0.34	8.7	0.34
M	29.4	1.156	29.4	1.156	31.9	1.25	34.8	1.57	44.7	1.76	68.3	2.69	58	2.28
P	25.4	1.00	25.4	1.00	25.4	1.00	29.7	1.17	29.7	1.17	35.3	1.39	35	1.38
S	1/4"-28 UNF		1/4"-28 UNF		1/4"-28 UNF		5/16"-24 UNF		5/16"-24 UNF		3/8"-24 UNF		3/8"-24 UNF	
U	60.7	2.39	60.7	2.39	64.0	2.52	87.9	3.46	97.5	3.84	97.5	3.84	98	3.86
V	M5		M5		M5		M5		M5		M6		M6	
ISO TOP	N/A		N/A		N/A		F04		F04		F05		F05	
kg	0.8		0.8		1.00		1.50		2.32		3.84		5.62	
Lb	1.76		1.76		2.21		3.3		3.74		5.01		11.06	



Materials • Materiales

	16 44	16 66
1 Stem • Vástago	316	316
2 ISO Separator • Separador ISO	304	304
3 N3 Belleville washer • Roldana Conacava N3	304	304
4 Ball • Bola	316	316
5 Body Seal • Sello del Cuerpo	PTFE	PTFE
6 Seat with Angle • Asiento con Ángulo	R-PTFE	R-PTFE
7 Machined lid • Tapa Maquinada	A216 WCB	A351 CF8M
8 Retaining cap • Seguro para Tuerca	304	304
9 Screw nut body • Tuerca para Tornillo de cuerpo	304	304
10 Retaining cap • Seguro para Tuerca	304	304
11 Allen Srew • Tornillo Allen Tope	A216 WCB	A216 WCB
12 ISO Body with Top • Cuerpo ISO con Tope	A216 WCB	A351 CF8M
13 Lower Stem Seal • Sello inferior del vástago	MULTIFILL	MULTIFILL
14 Top stem seal • Sello superior del vástago	MULTIFILL	MULTIFILL
15 Valtaco Nameplate • Placa de identificación Valtaco	316	316
16 Hex head screw to attach caps with bodies Tornillo cabeza hexagonal para unir tapas con cuerpos	304	304
17 Handle • Maneral	316	316
18 Pressure washer • Roldana de Presión	304	304